



BOUCLE classic





BOUCLE classic

TEHNICAL DATA

DESCRIPTION

Defines itself with attention to detail with its striking, handcrafted wood applications

TECHNICAL CHARACTERISTICS

- Bed available in standard sizes KING, QUEEN and FULL
- Comfort foam topper (HR 35) included
- The base is the box with built-in pocket spring TFK 500, foam hardness H3
- The centerpiece is the high-quality mattress, breathable, two-sided hardness of the 7-zone pocket spring mattresses, TFK 500, one side H2 other side H3
- Stable and easy to assemble



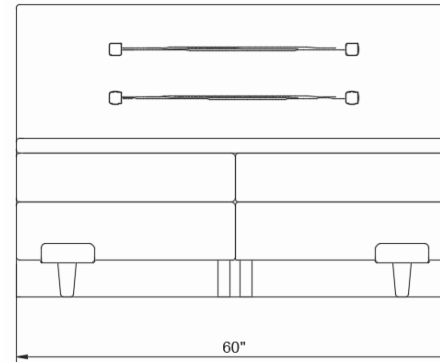
H – height
 W – width
 L – lenght
 SH – lying / sitting height
 CBM – cubic meter (m³)

DIMENSION: MATTRESSES QUEEN

- H: 47 1/4 "
- W: 60 "
- L: 83 8/5 "
- SH: 25 5/8 "

SIZES: MATTRESSES KING

- H: 47 1/4 "
- W: 76 "
- L: 83 8/5 "
- SH: 25 5/8 "

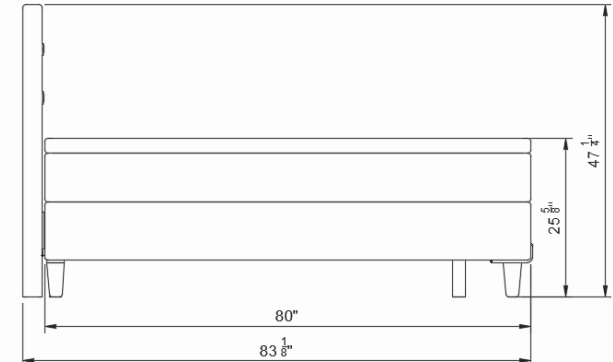


MATTRESSES QUEEN

- H: 47 1/4 "
- W: 60 "
- L: 83 8/5 "
- SH: 25 5/8 "

MATTRESSES FULL

- H: 47 1/4 "
- W: 54 "
- L: 78 8/5 "
- SH: 25 5/8 "



PACKAGE INFORMATION

- The bed is packed in 4 boxes
- CBM: 0,3/headboard; 0,5/left box; 0,5/right box; 1,0/left mattresses